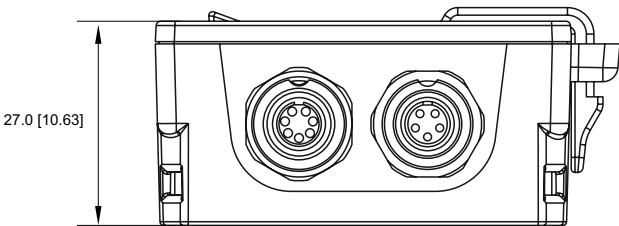
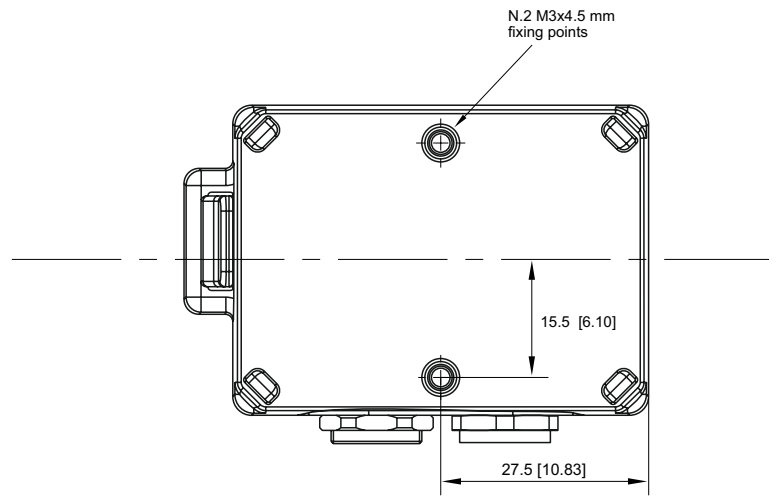
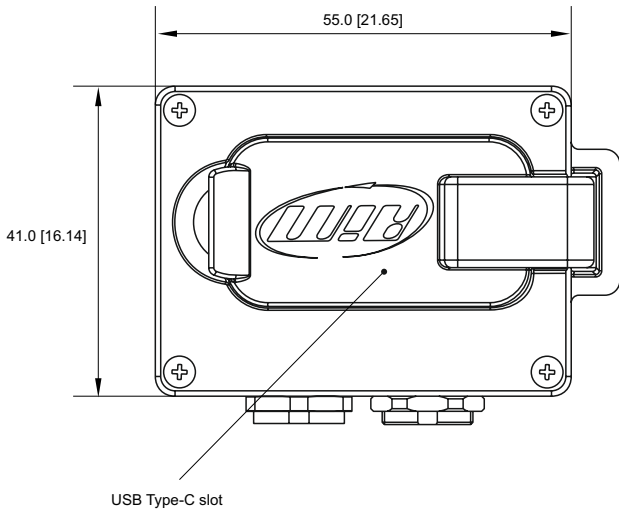




ECULog

Logger



Dimensions in mm [inches]



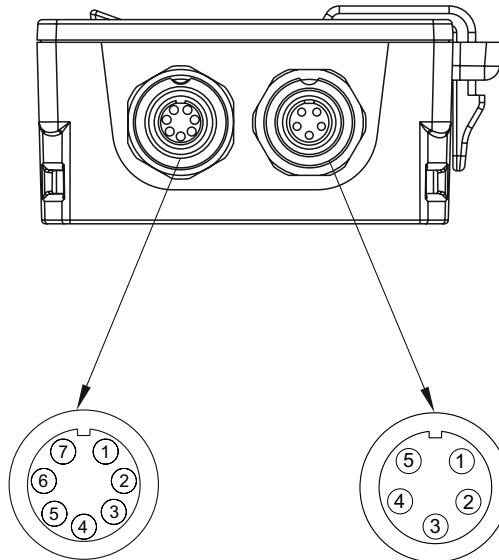
ECULog

Logger

Technical specifications

ECU connection	CAN, RS232 or K-Line to 1,000+ industry leading ECUs
Expansions	GPS09c/GPS09c Pro, ACC2, LCU1, SmartyCam 3 Series
External power	9÷15 V
Connectors	1 socket (Binder) 712, 5 pins 1 socket (Binder) 712, 7 pins 1 USB Type-C
Memory	4 GB + removable USB-C memory card
Material	PA6 GS30%
Dimensions	61.4x44.7x27.2 mm
Weight	100g approx.
Waterproof	IP65

Pinout



7 pins Binder 712 female connector pinout external view

5 pins Binder 712 female connector pinout external view

ECU Connector	
1	CAN ECU+
2	CAN ECU-
3	+Vbext
4	ECU RS232TX
5	ECURS232RX
6	K-Line
7	GND

EXP Connector	
1	CAN+
2	GND
3	+Vbout
4	CAN-
5	+Vbext